



HYDRONIC LIFT

via per Cadrezzate,
21/4C, Brebbia (VA)
tel. +39 0332773134
fax +39 0332773157

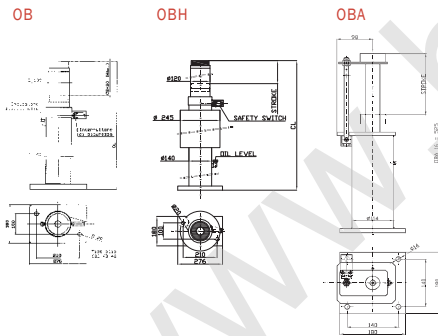
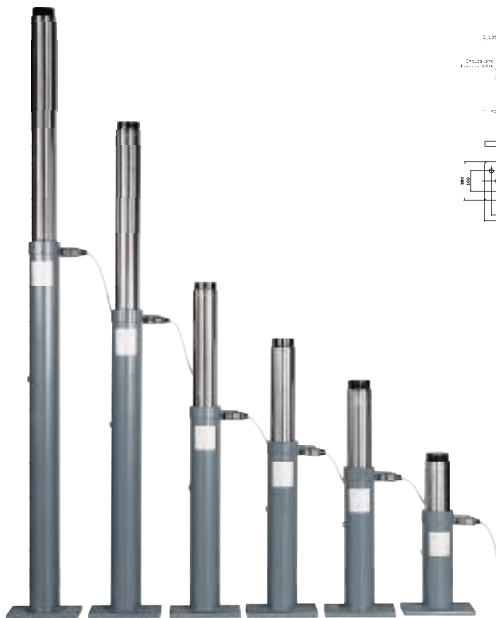
www.hydroniclift.it
hydronic@hydroniclift.it



OIL BUFFERS FOR ELEVATORS



COMMERCIAL NAME	IMPACT SPEED	MAX NOMINAL SPEED (with stroke reduction proviso, %)			MIN IMPACT MASS	MAX IMPACT MASS	STROKE	TOTAL HEIGHT	WEIGHT
		100%	50%	33%					
	[m/s]	[m/s]	[m/s]	[m/s]	[Kg]	[Kg]	[mm]	[mm]	[Kg]
LIGHT SERIES									
OBL16	1.84	1.6	-	-	400	2500	180	530	16
OBF17	2	1.75	-	-	250	2500	210	530	10
STANDARD SERIES									
OB16	1.84	1.6	-	-	700	5300	175	625	29
OB18	2.08	1.8	-	-	700	5300	230	765	32
OB20	2.34	2	-	-	700	5300	290	915	36
OB23	2.6	2.28	-	-	700	5300	350	1080	40
OB25	2.88	2.5	3.59	4.4	700	5300	435	1300	45
OB29	3.25	2.86	4.03	4.94	700	5300	550	1595	52
OB31	3.62	3.15	4.49	5.5	700	5300	680	1920	60
OB35	4.09	3.5	5.05	6.18	1300	5300	860	2365	71
STANDARD, HIGH SPEED SERIES									
OB40	4.6	4	5.74	7.03	1300	6600	1112	3000	115
HEAVY, HIGH SPEED SERIES									
OBH32	3.62	3.15	4.49	5.5	2000	8000	680	1710	100
OBH35	4.09	3.5	5.05	6.18	2000	8000	860	2110	115
OBH40	4.6	4	5.74	7.03	1250	7600	1112	2730	137
OBH50	5.75	5	7.18	8.8	1250	7600	1740	4216	166
OBH56	6.44	5.6	7.9	9.69	1250	6500	2110	5140	208
NEW, LIGHT SERIES									
OBA16	1.84	1.6	-	-	450	3500	175	525	14.5
OBA18	2.08	1.75	-	-	450	3500	230	600	16.5
OBA20	2.34	2	-	-	450	3500	290	775	18.5
OBC25	2.88	2.5	-	-	450	4500	435	1270	24.5



CERTIFICATIONS



RUSSIAN
CUSTOM UNION



LIFT DIRECTIVE
95.16 EC
COMPANY



KLT Korean



CHINESE SISE

Hydronic Lift designed Oil Buffers feature a sturdy welded structure and a precise progressive hydraulic braking, making them among the most efficient and reliable Oil Buffers on the market.

Our Oil Buffers are certified to European Lift directive (Annex IX, module H) requirements. Furthermore most buffers have been approved by California DOSH, Ontario TSSA, (to ANSI 17.1), by Korean KTL, Decree of Government of Russian Federation n° 782, by Chinese SISE according to GB7588, and the "Customs Union" of Russia, Belarus, Kazakhstan.

The complete Oil Buffer ranges are strictly tested and supplied complete with oil and safety switch. Rod cover, 8 or 12 m cable, halogen free or with higher protection degree, may be supplied upon request.

Hydronic Lift Oil Buffer ranges offer solutions for standard traction elevators (from 1.6 to 2.5 m/s) and High Rise elevators (from 2.5 m/s to 10.0 m/s).

LEADENHALL BUILDING

OB - OBH series

